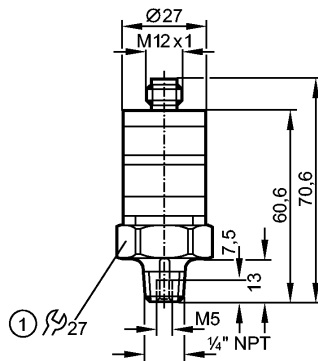


PK6224

PK-010-RFN14-HCPKG/US/ W

Pressure sensors



1: tightening torque 25 Nm

Made in Germany



Product characteristics

Electronic pressure monitor
Quick disconnect
Process connection: 1/4" NPT A / M5 I
2 switching outputs normally open / closed complementary
Measuring range: 0...10 bar / 0...145 psi

Application

Application	Type of pressure: relative pressure Liquids and gases	
Pressure rating	25 bar	362 psi
Bursting pressure min.	300 bar	4350 psi
MAWP (for applications according to CRN)	25 bar	362 psi
Medium temperature [°C]	-25...80	

Electrical data

Electrical design	DC PNP
Operating voltage [V]	9.6...32 DC
Current consumption [mA]	< 25
Insulation resistance [MΩ]	> 100 (500 V DC)
Protection class	III
Reverse polarity protection	yes

Outputs

Output	2 switching outputs normally open / closed complementary
Output function	normally open / closed complementary
Current rating [mA]	500
Voltage drop [V]	< 2
Short-circuit protection	Yes (non-latching)
Overload protection	yes
Switching frequency [Hz]	100

Measuring / setting range

Measuring range	0...10 bar	0...145 psi
Setting range		
Set point, SP	0.5...10 bar	7.5...145 psi

PK6224

PK-010-RFN14-HCPKG/US/ W

Pressure sensors

Reset point, rP	0.3...9.8 bar	5.0...142 psi
-----------------	---------------	---------------

Accuracy / deviations

Deviations (% of value of measuring range)		
Switch point accuracy	< ± 2.5 *	
Characteristics deviation	< ± 1.5 (BFSL) / < ± 2.5 (LS) **	
Repeatability	< ± 0.5	
Temperature drift (/ 10 K)	< ± 0.5	
in the temperature range [°C]	0...80	

Software / programming

Adjustment of the switch point	Setting rings
--------------------------------	---------------

Environment

Ambient temperature [°C]	-25...80
Storage temperature [°C]	-40...100
Protection	IP 67

Tests / approvals

Pressure equipment directive	article 3, section 3 - sound engineering practice	
EMC	DIN EN 61000-6-2 DIN EN 61000-6-3	
Shock resistance	DIN EN 60068-2-27:	50 g (11 ms)
Vibration resistance	DIN EN 60068-2-6:	20 g (10...2000 Hz)
MTTF [Years]	540	

Mechanical data

Process connection	¼" NPT A / M5 I	
Materials (wetted parts)	stainless steel 316L / 1.4404	
Housing materials	PBT; PC; FPM; stainless steel 316L / 1.4404	
Switching cycles min.	50 million	
Weight [kg]	0.091	

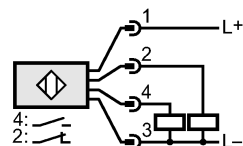
Displays / operating elements

Display	Power LED green Switching status LED yellow
---------	--

Electrical connection

Connection	M12 connector
------------	---------------

Wiring



Remarks

Remarks	*) Setting accuracy **) BFSL = Best Fit Straight Line / LS = Limit Value Setting
---------	---

Pack quantity [piece]	1
-----------------------	---